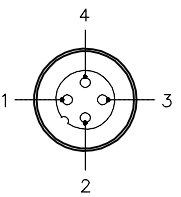
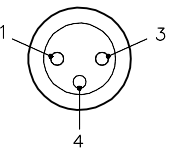
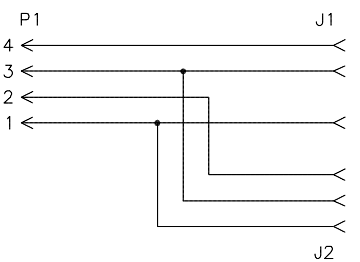
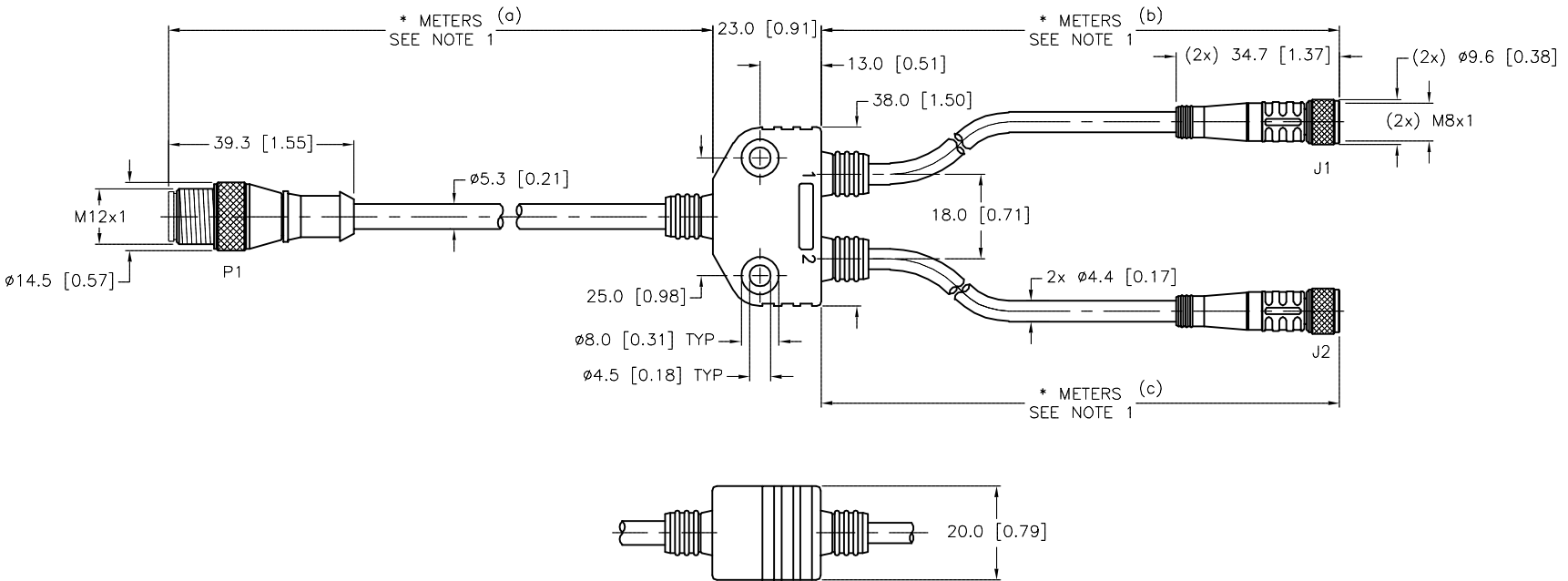


MALE END VIEW	FEMALE END VIEW	WIRING DIAGRAM	SPECIFICATIONS																							
			<table border="1"> <tr><td>CONTACT CARRIER MATERIAL</td><td>NYLON OR TPU</td></tr> <tr><td>MOLDED HEAD MATERIAL/COLOR</td><td>TPU/YELLOW</td></tr> <tr><td>CONTACT MATERIAL/PLATING</td><td>BRASS/GOLD</td></tr> <tr><td>COUPLING NUT MATERIAL/PLATING</td><td>BRASS/NICKEL</td></tr> <tr><td>RATED CURRENT [A]</td><td>4.0 A</td></tr> <tr><td>RATED VOLTAGE [V]</td><td>125 V</td></tr> <tr><td>OUTER JACKET MATERIAL/COLOR</td><td>PVC/GRAY (P1); PVC/YELLOW (J1,J2)</td></tr> <tr><td>CONDUCTOR INSULATION MATERIAL</td><td>PVC</td></tr> <tr><td>CONDUCTOR [AWG]</td><td>4x22 AWG (P1); 3x24 AWG (J1,J2)</td></tr> <tr><td>TEMPERATURE RATING</td><td>-40°C TO +105°C (-40°F TO +221°F)</td></tr> <tr><td>PROTECTION CLASS</td><td>MEETS NEMA 1,3,4,6P AND IEC IP67</td></tr> </table>	CONTACT CARRIER MATERIAL	NYLON OR TPU	MOLDED HEAD MATERIAL/COLOR	TPU/YELLOW	CONTACT MATERIAL/PLATING	BRASS/GOLD	COUPLING NUT MATERIAL/PLATING	BRASS/NICKEL	RATED CURRENT [A]	4.0 A	RATED VOLTAGE [V]	125 V	OUTER JACKET MATERIAL/COLOR	PVC/GRAY (P1); PVC/YELLOW (J1,J2)	CONDUCTOR INSULATION MATERIAL	PVC	CONDUCTOR [AWG]	4x22 AWG (P1); 3x24 AWG (J1,J2)	TEMPERATURE RATING	-40°C TO +105°C (-40°F TO +221°F)	PROTECTION CLASS	MEETS NEMA 1,3,4,6P AND IEC IP67	
CONTACT CARRIER MATERIAL	NYLON OR TPU																									
MOLDED HEAD MATERIAL/COLOR	TPU/YELLOW																									
CONTACT MATERIAL/PLATING	BRASS/GOLD																									
COUPLING NUT MATERIAL/PLATING	BRASS/NICKEL																									
RATED CURRENT [A]	4.0 A																									
RATED VOLTAGE [V]	125 V																									
OUTER JACKET MATERIAL/COLOR	PVC/GRAY (P1); PVC/YELLOW (J1,J2)																									
CONDUCTOR INSULATION MATERIAL	PVC																									
CONDUCTOR [AWG]	4x22 AWG (P1); 3x24 AWG (J1,J2)																									
TEMPERATURE RATING	-40°C TO +105°C (-40°F TO +221°F)																									
PROTECTION CLASS	MEETS NEMA 1,3,4,6P AND IEC IP67																									

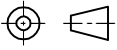


CABLE LENGTH	TOLERANCE*
ALL LENGTHS	+ 4% (OR 50mm) OF LENGTH - 0% (OR 0mm) OF LENGTH WHICHEVER IS GREATER
STRIP LENGTH	TOLERANCE*
0-7mm	±0.5mm
8-29mm	±1.0mm
30-49mm	±2.0mm
50-69mm	±3.0mm
70-100mm	±4.0mm
OVER 100mm	±5.0mm

* UNLESS OTHERWISE SPECIFIED

NOTES:
1. "*" INDICATES CABLE LENGTH IN METERS. CONTACT TURCK TO ORDER SPECIFIC LENGTHS.

SOURCE DRAWING - FOR REFERENCE ONLY

RELATED DOCUMENTS 1. 2. 3. 4.	3RD ANGLE PROJECTION 	THIS DRAWING IS CONFIDENTIAL AND THE PROPERTY OF TURCK INC. USE OF THIS DOCUMENT WITHOUT WRITTEN PERMISSION IS PROHIBITED.	3000 CAMPUS DRIVE MINNEAPOLIS, MN 55441 1-800-544-7769 (763) 553-7300 (763) 553-0708 fax www.turck.us
MATERIAL SEE SPECIFICATIONS	ALL DIMENSIONS DISPLAYED ON THIS DRAWING ARE FOR REFERENCE ONLY	DRFT CBM DATE 10/05/00 APVD SCALE 1=1.5	DESCRIPTION VB2-RS 4.4T-*/2PKG 3M-*/* (a) (b) (c)
FINISH SEE SPECIFICATIONS	CONTACT TURCK FOR MORE INFORMATION	UNIT OF MEASUREMENT MILLIMETER [INCH] DO NOT SCALE THIS DRAWING	IDENTIFICATION NO. REV F FILE: 777000304 SHEET 1 OF 1

F	DRAWING PROCESSED AS PART OF ECO 33971	CBM	04/06/11	33971
REV	DESCRIPTION	BY	DATE	ECO NO.